

MOTOR SPECIFICATION SHEET

MODEL : SF-Q 25HP 4P (LT)

USED FOR : STANDARD

| DESCRIPTION | DETAIL | | | |
|----------------------------------|--|------|------|--|
| PHASE | 3 | | | |
| MODEL NAME | SF-Q | | | |
| RATED OUTPUT, HP (kW) | 25 (18.5) | | | |
| POLE | 4 | | | |
| CODE | MEATH CODE : 1M002F-401850Q-GD0 | | | |
| OUTLINE DRAWING NO. | ONM34O304-D | | | |
| RATED VOLTAGE (V) | 220 | 380 | 415 | |
| RATED FREQUENCY (Hz) | 50 | 50 | 50 | |
| RATED CURRENT (A) | 66.1 | 38.2 | 39.2 | |
| RATED SPEED (min ⁻¹) | 1475 | 1475 | 1480 | |
| RATED EFFICIENCY (%) | 89.9 | 89.9 | 89.3 | |
| EFFICIENCY CLASS | IE1 | | | |
| THERMAL CLASS | 155(F) | | | |
| RATING | S1 (CONTINUOUS) | | | |
| ENCLOSURE CONSTRUCTION | TOTALLY ENCLOSED FAN COOLED | | | |
| DEGREES OF PROTECTION | IP55 | | | |
| METHOD OF COOLING | IC411 | | | |
| FRAME NO. | 180M | | | |
| WEIGHT (kg) | 193 | | | |
| STANDARD | IEC 60034-1, IEC 60034-30-1 | | | |
| INSTALLATION | FOOT MOUNTED | | | |
| ROTATION | CCW (VIEWED FROM SHAFT END) | | | |
| BEARING | LOAD SIDE : 6311ZZ | | | |
| | OPPOSITE SIDE : 6310ZZ | | | |
| BEARING GREASE | UREA GREASE | | | |
| NOISE (dB.A) | 82 | | | |
| VIBRATION | V15 | | | |
| CIRCUMSTANCE CONDITION | AMBIENT TEMPERATURE : -20 ~ +40°C | | | |
| | AMBIENT HUMIDITY : 95%RH OR LESS | | | |
| | ABOVE SEA LEVEL : 1000m OR LESS | | | |
| | ENVIRONMENT : NO BURSTING/EROSIVE GAS OR VAPOR | | | |
| COLOR | MUNSELL N1.5 (BLACK) | | | |
| TERMINAL BOX | NO. OF LEAD WIRES : 6 | | | |
| | SOURCE CONNECTION : LEAD WIRES | | | |
| SHAFT SWING | ≤0.05mm | | | |
| MATERIAL | FRAME : CAST IRON | | | |
| | BRACKET : CAST IRON | | | |
| | SHAFT : CARBON STEEL | | | |
| | STATOR CORE : ELECTRICAL STEEL | | | |
| | WIRE : ENAMELLED COPPER MAGNET WIRE | | | |
| | ROTOR CORE : ELECTRICAL STEEL | | | |
| | CONDUCTOR : ALUMINIUM | | | |
| | TERMINAL BOX : STEEL PLATE | | | |
| | PAINTING : POLYURETHANE RESIN | | | |
| APPLIED ITEM | INSULATION REINFORCEMENT FOR INVERTER DRIVE | | | |
| PRODUCTION COUNTRY | THAILAND | | | |

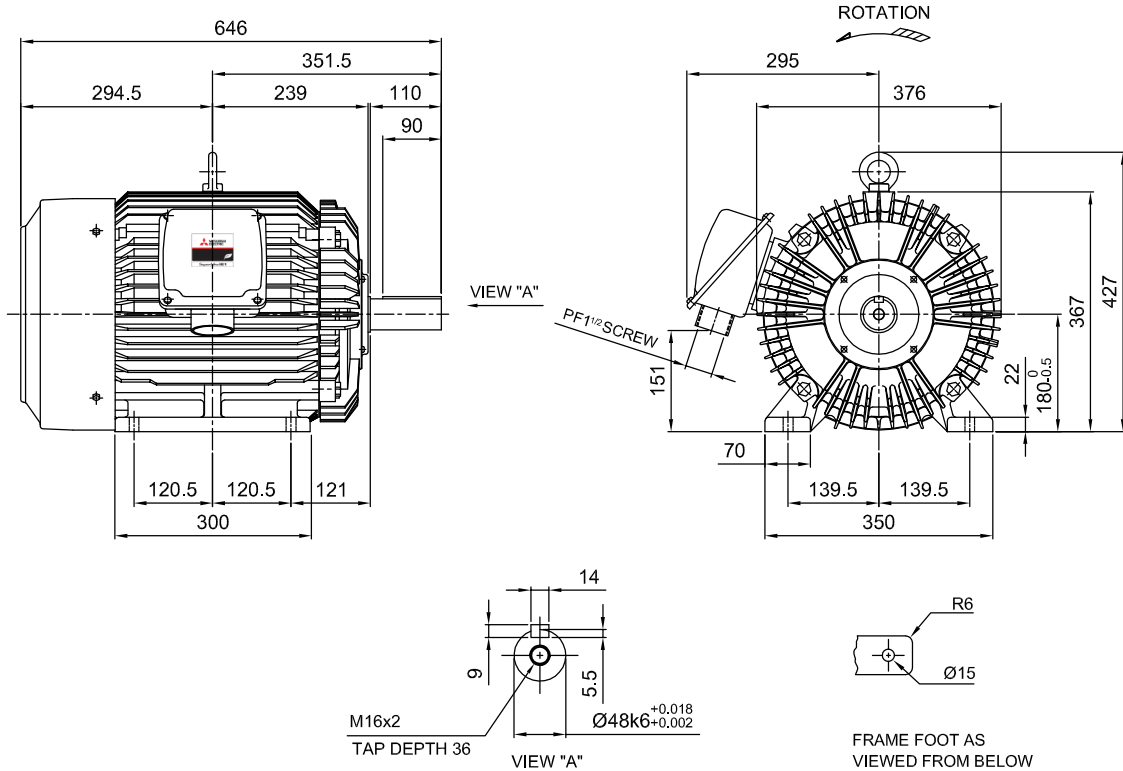
Specifications subject to change without notice.

| | | | | |
|--------------------------------|--|--|--|--|
| SPECIFICATION SHEET NO. | | | | |
| SS-N-3191-B | | | | |

MODEL **SF-Q** THREE PHASE INDUCTION MOTOR OUTLINE DRAWING

TOTALLY ENCLOSED FAN COOLED
 DEGREES OF PROTECTION IP55
 DUST & WATER JET PROOF

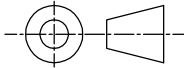
CUSTOMER _____
 USER _____
 FOR _____
 CUSTOMER'S ORDER NO. _____
 QUANTITY _____
 MFG. ORDER NO. _____



| YOUR ORDER | FRAME SIZE | RATING | TH. CLASS | AMB. TEMP. | BEARINGS | | COLOR | DIRECTION OF ROTATION (VIEWED FROM SHAFT END) | NO. OF LEAD WIRES | REMARKS |
|------------|------------|------------|-----------|------------|-----------|-----------|----------------------|---|-------------------|---------|
| | | | | | LOAD SIDE | OPP. SIDE | | | | |
| | 180M | S1 (CONT.) | 155(F) | 40°C | 6311ZZ | 6310ZZ | BLACK (MUNSELL N1.5) | CCW | 6 | |

| YOUR ORDER | OUTPUT | | POLES | VOLTS | HERTZ | AMP. | RPM | IE CODE-RATED EFF. | REMARKS |
|------------|--------|------|-------|-------------|-------|----------------|----------------|-----------------------|---------|
| | HP | KW | | | | | | | |
| | 30 | 22 | 2 | 380/415 | 50 | 42.7/40.2 | 2930/2945 | IE1-90.2%/91.0% | HT |
| | 25 | 18.5 | 4 | 380/415 | 50 | 37.6/37.4 | 1470/1480 | IE1-89.9%/89.8% | HT |
| | 30 | 22 | 4 | 380/415 | 50 | 44.2/43.7 | 1470/1475 | IE1-90.2%/90.0% | HT |
| | 20 | 15 | 6 | 380/415 | 50 | 32.5/32.1 | 975/980 | IE1-88.5%/88.3% | HT |
| | 30 | 22 | 2 | 220/380/415 | 50 | 74.0/42.7/39.6 | 2920/2920/2940 | IE1-89.9%/89.9%/90.2% | LT |
| | 25 | 18.5 | 4 | 220/380/415 | 50 | 66.1/38.2/39.2 | 1475/1475/1480 | IE1-89.9%/89.9%/89.3% | LT |
| | 30 | 22 | 4 | 220/380/415 | 50 | 76.6/44.2/43.9 | 1475/1475/1480 | IE1-90.2%/90.2%/90.0% | LT |
| | 20 | 15 | 6 | 220/380/415 | 50 | 56.3/32.5/32.1 | 975/975/980 | IE1-89.0%/89.0%/88.3% | LT |

MITSUBISHI ELECTRIC AUTOMATION (THAILAND) CO., LTD.

| | | | |
|--|---------------------|--|------|
|  DIMENSION IN mm. SCALE : NTS | OUTLINE DRAWING NO. | | REV. |
| | O N M 3 4 0 3 0 4 | | |